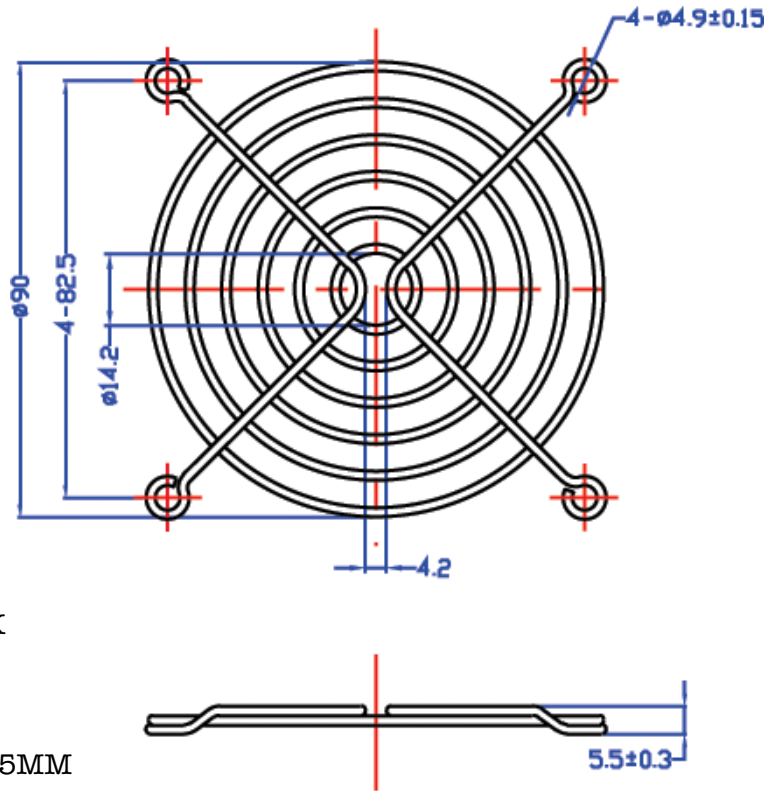
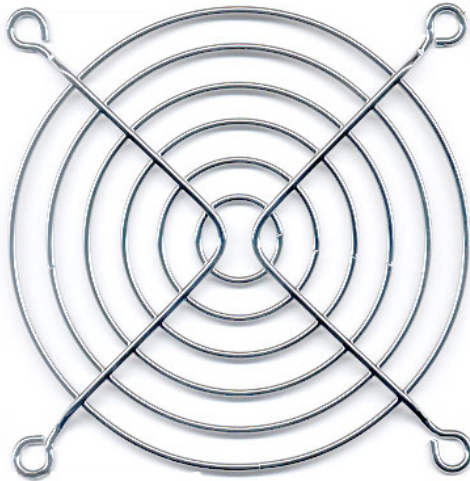


Part Nos. G92-16, G92-16B



Fan Guard for 92mm Fan



NOTES:

1. MATERIAL: C1008 BRIGHT BASIC WIRE
2. FINISH: BRIGHT NICKEL CHROME OR BLACK
3. RINGS: 1.6MM DIA / RIBS: 1.6MM DIA
4. WELDS TO WITHSTAND 88LBS PULL FORCE
5. SPACING BETWEEN RINGS: 5.66MM
6. GENERAL TOLERANCE UNLESS NOTED +/-0.5MM
7. PART MEETS 6.35MM PLUG GAUGE TEST
8. UNIT: MM

Part Number	Description
G92-16	92mm fan guard, nickel chrome
G92-16B	92mm fan guard, black finish
G92-16/PK	10-Pack G92-16, Boxed
G92-16B/PK	10-Pack G92-16B, Boxed